

CM30

Product Description:

Powder coated metal showcase featuring glass fiber optic lighting and swinging front glass door.

Standard Features:

- 4 Top Down Lights
- 12 Lens Heads Per Shelf
- 52 Total Light Points
- 3 Glass Shelves, $\frac{5}{16}$ " Glass
- 2 Abloy High Security Locks
- $\frac{1}{4}$ " Swinging Glass Door
- Solid Metal Base Shelf
- 360° Viewing

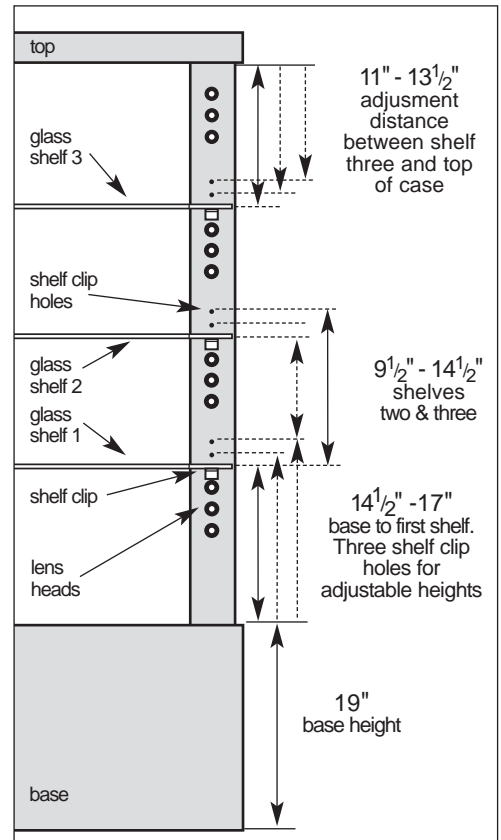
Product Size:

- $19\frac{5}{8}$ " x $20\frac{11}{16}$ " x 75"

Options:

- Mirrored Back and Base Shelf
- Solid Metal Back

Shelf Spacing Diagram



Showcase shown is a standard CM30 in Black Wrinkle powder coated finish with glass back.



ACTIVE
METAL, INC.

2219 Cottage St. ■ Ashland, OH 44805 ■ 419.281.9623 ■ Fax: 419.282.0058 ■ www.activemetalinc.com

© 2005 Active Metal Inc.